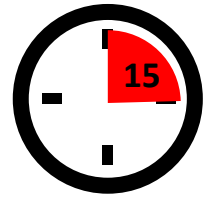


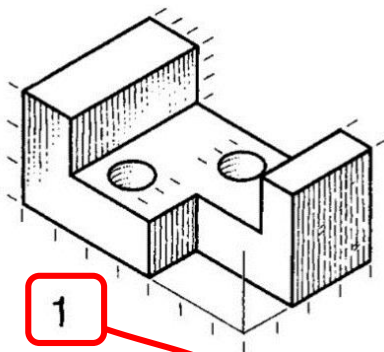
Quiz: Quick Solids-01



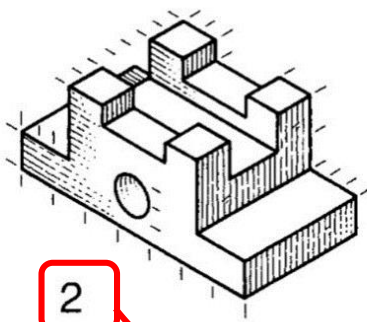
Objective: Quickly making solids from basic sketches.
No dimensions are given and student must duplicate the basic shape.

You will create a **new CATIA model** for each example
You will save it in your Collaborative Space:

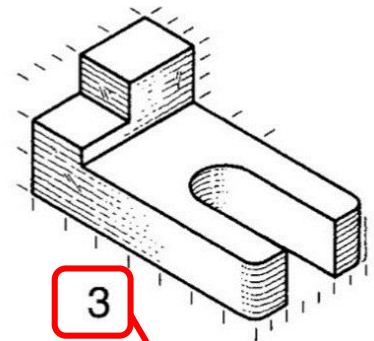
Each part is to be modeled in a separate file.
Make sure they are named as shown



Quick-01



Quick-02



Quick-03

All examples are to be modeled with just:

- Sketches
 No dimensional constraints – just Geometric Constraints
- Pad
- Pocket

At this point in class you have not learned the Hole or Fillet features so do not use them.

