

P12 Flexible Assembly

Open: P12-Flexible demo

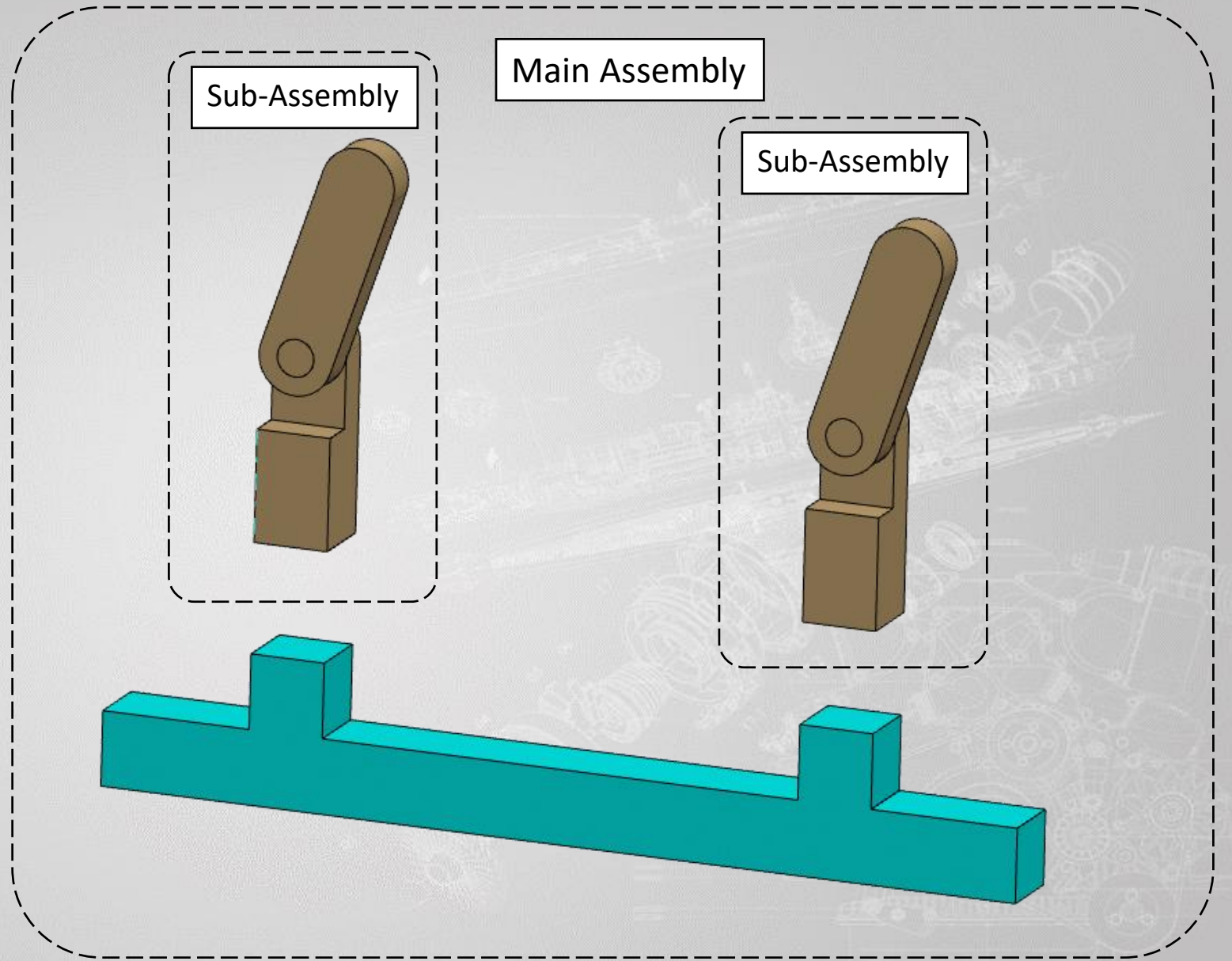
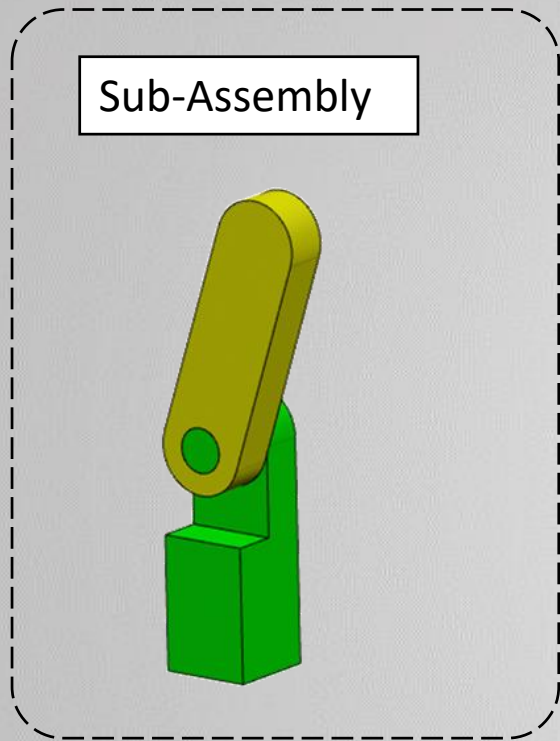


Theory

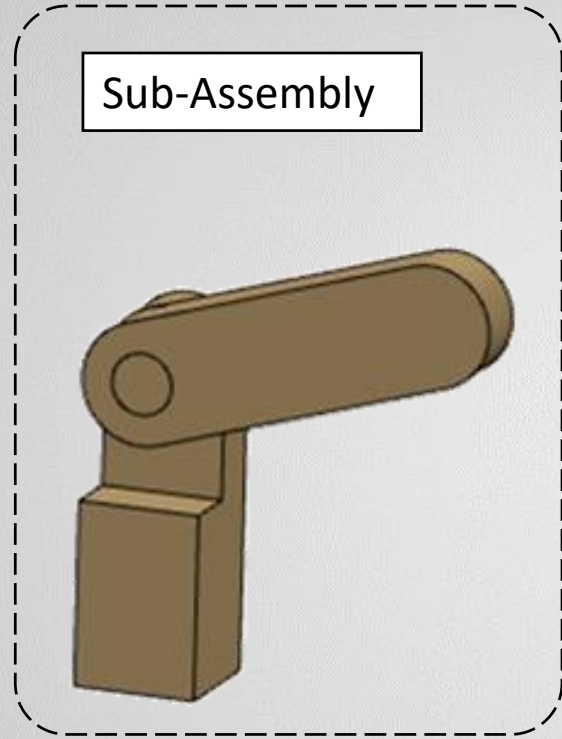
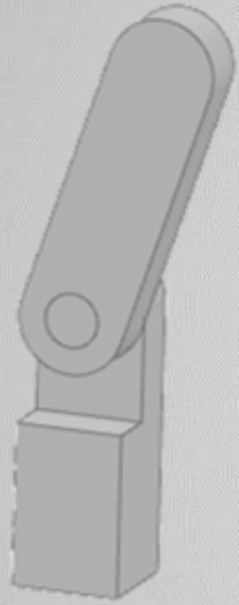
The Actual Steps



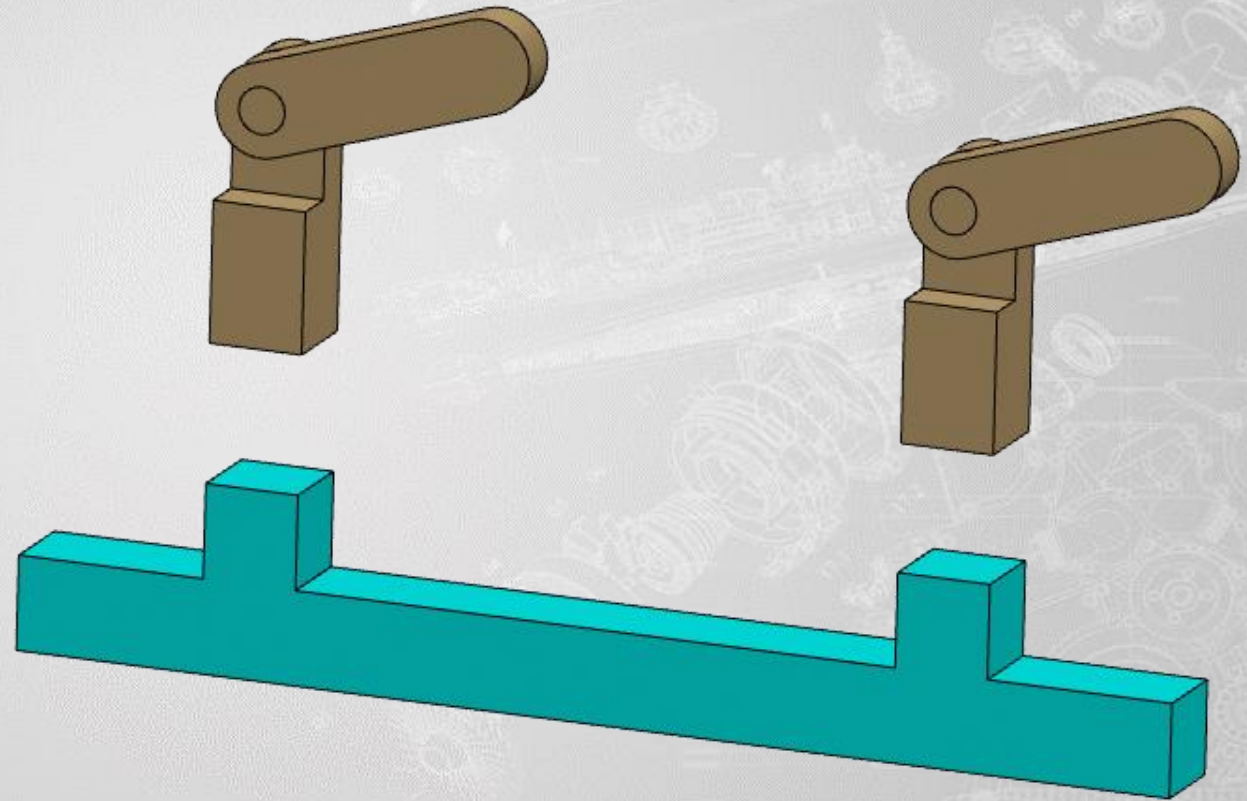
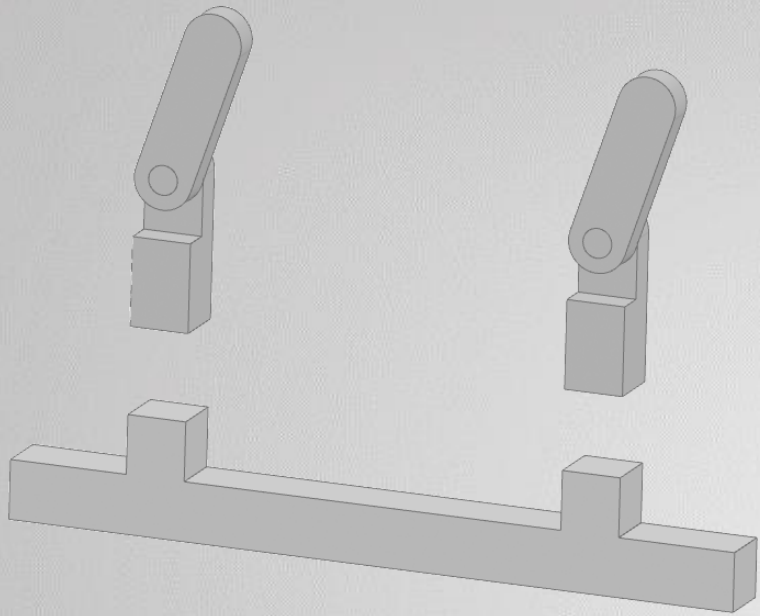
Theory



Theory



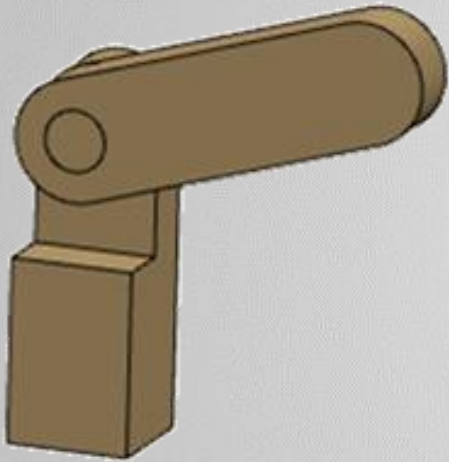
Theory



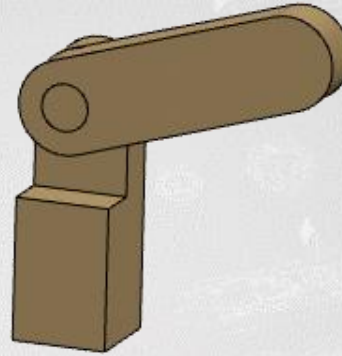
Theory

Assembly

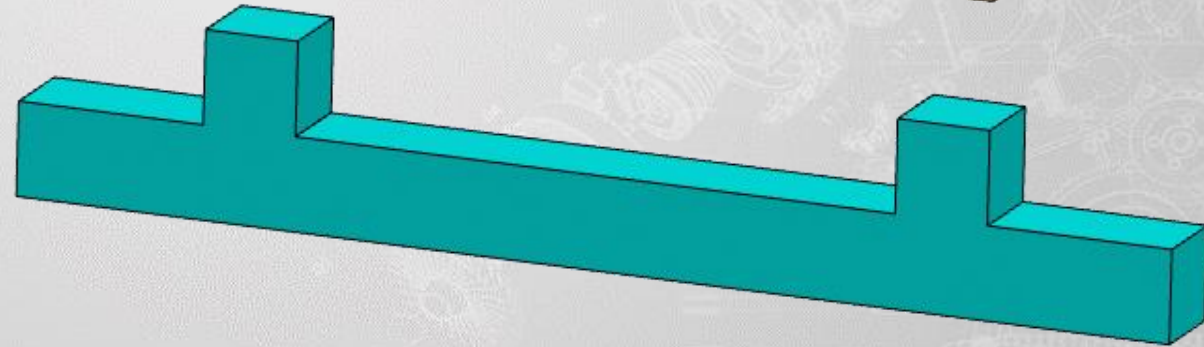
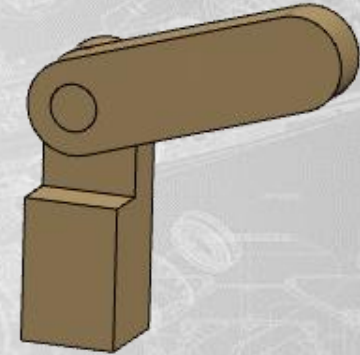
“Rigid”



Sub-Assembly

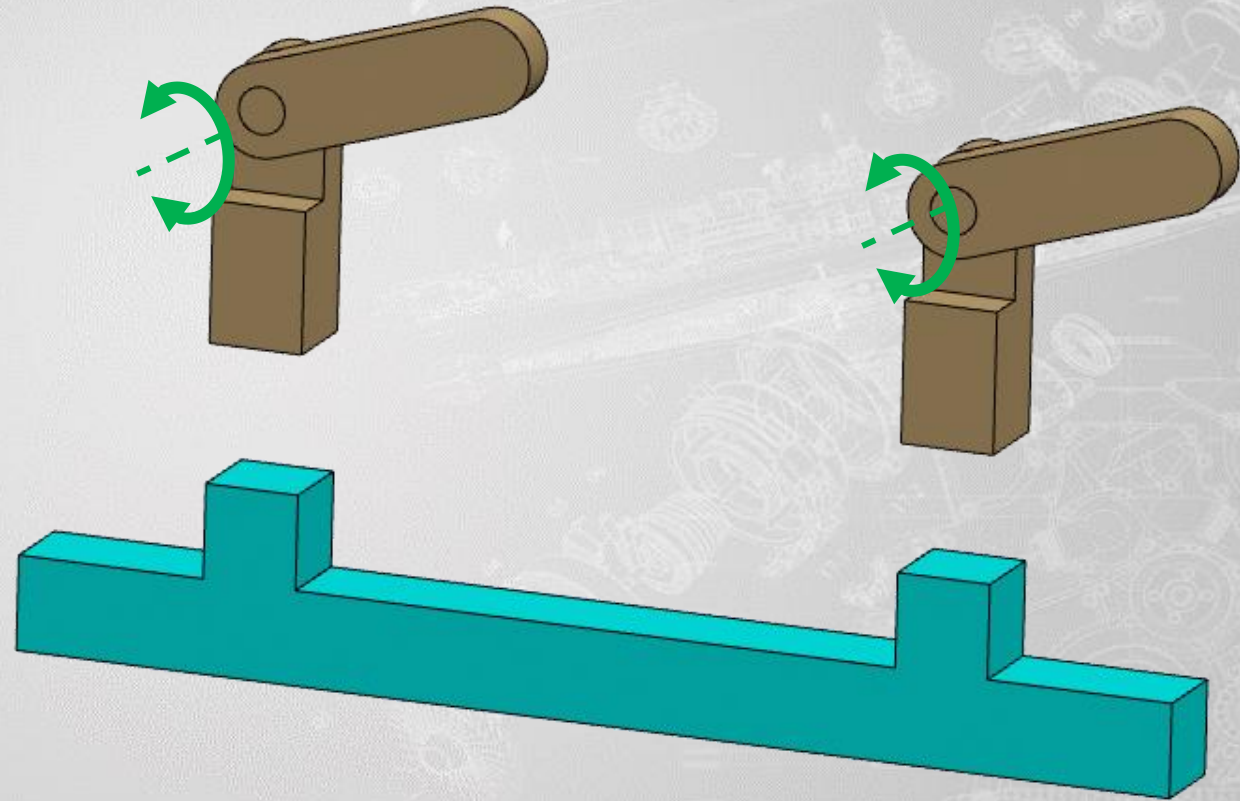
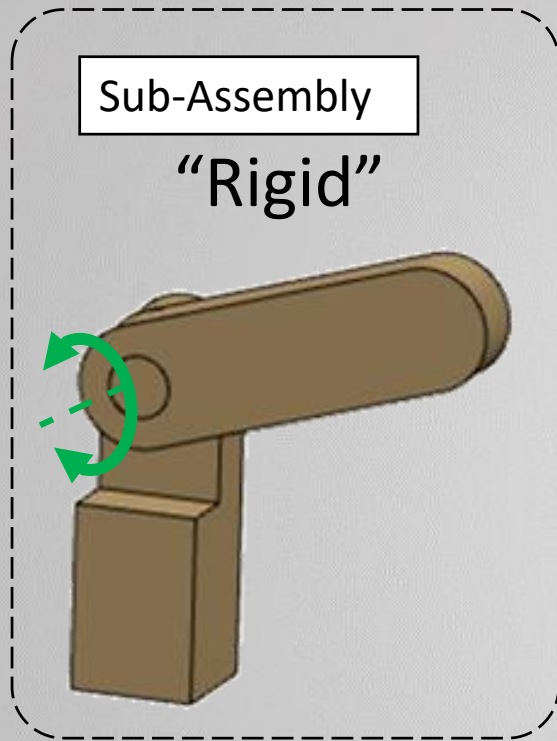


Sub-Assembly



Theory

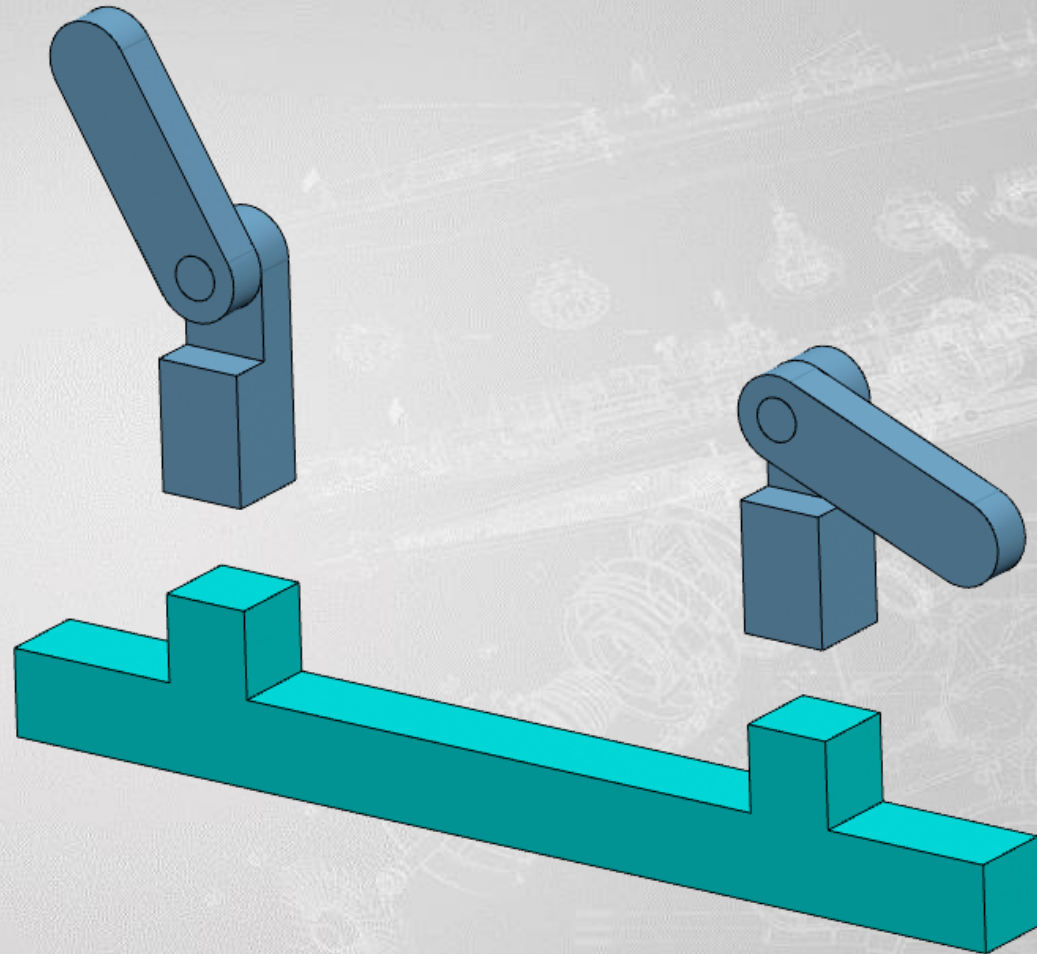
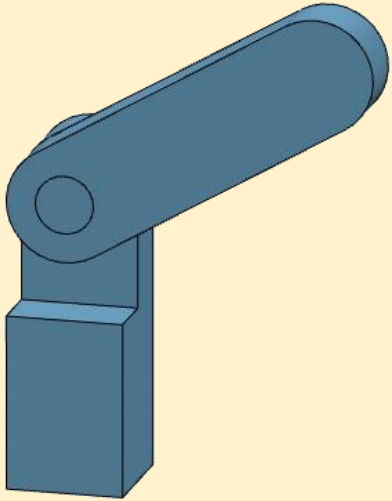
Ridged is probably a bad term to use.
They are able to move.
But they move in unison



Theory

Sub-Assembly

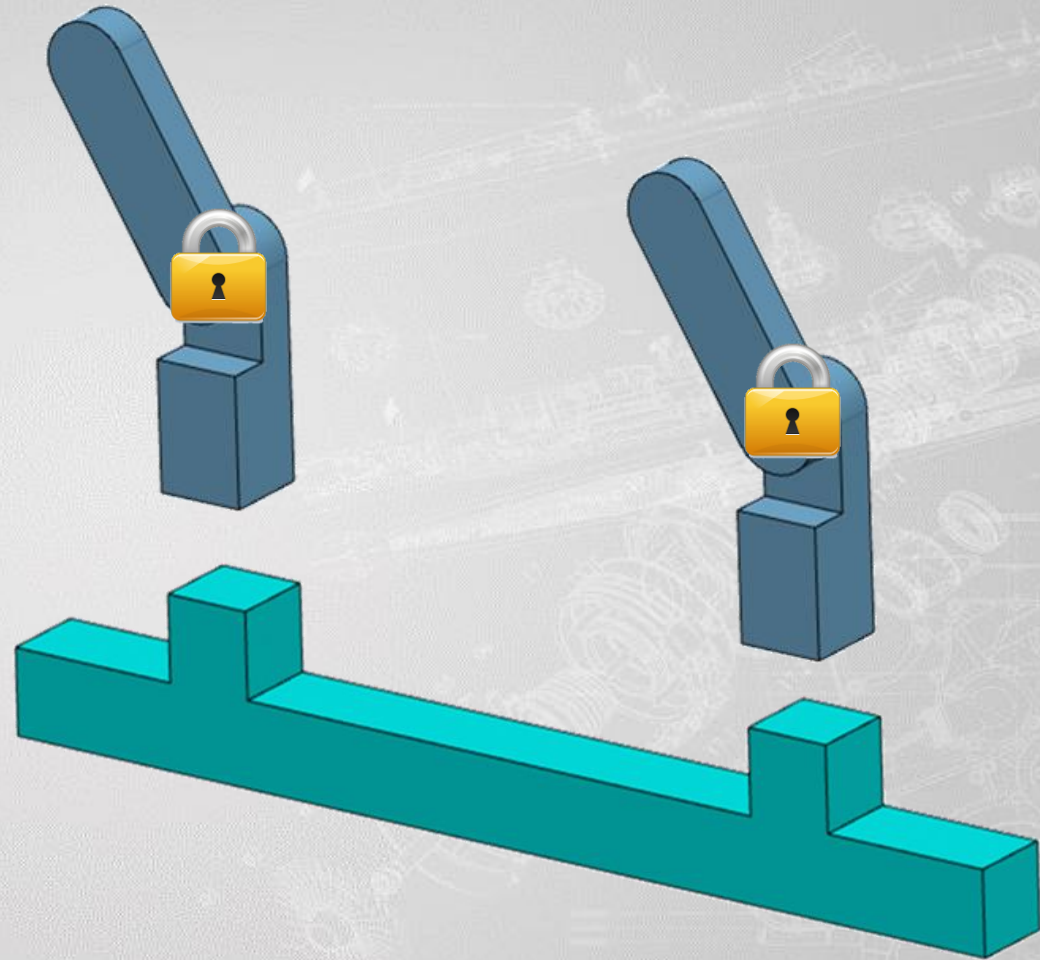
“Flexible”



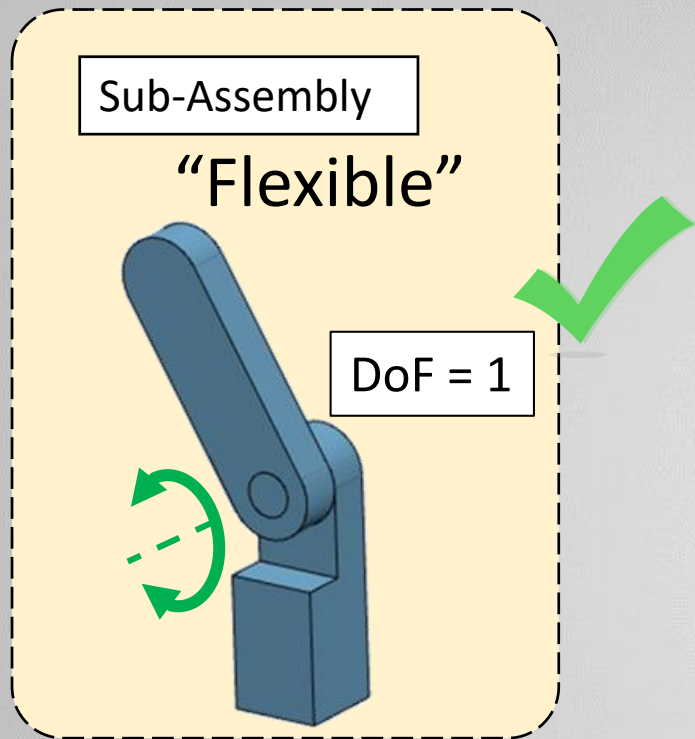
Theory

Sub-Assembly

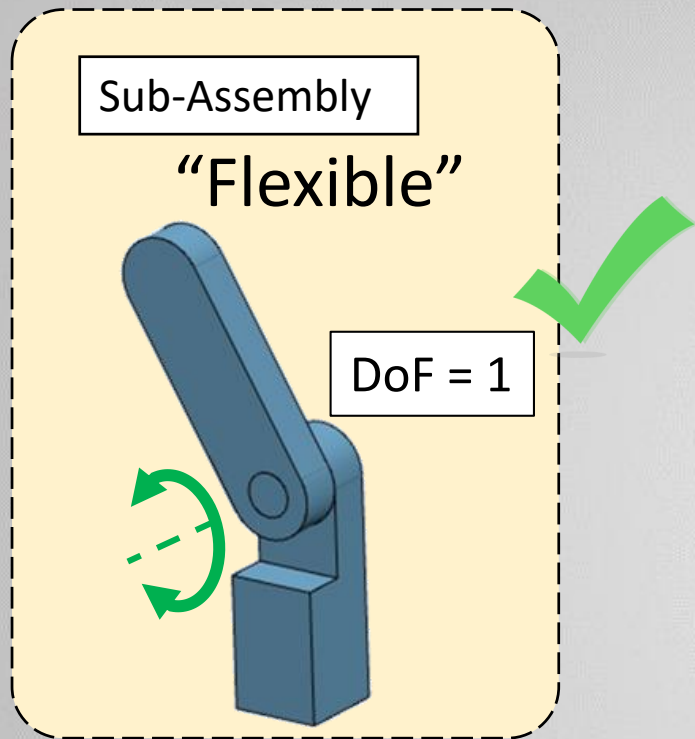
“Flexible”



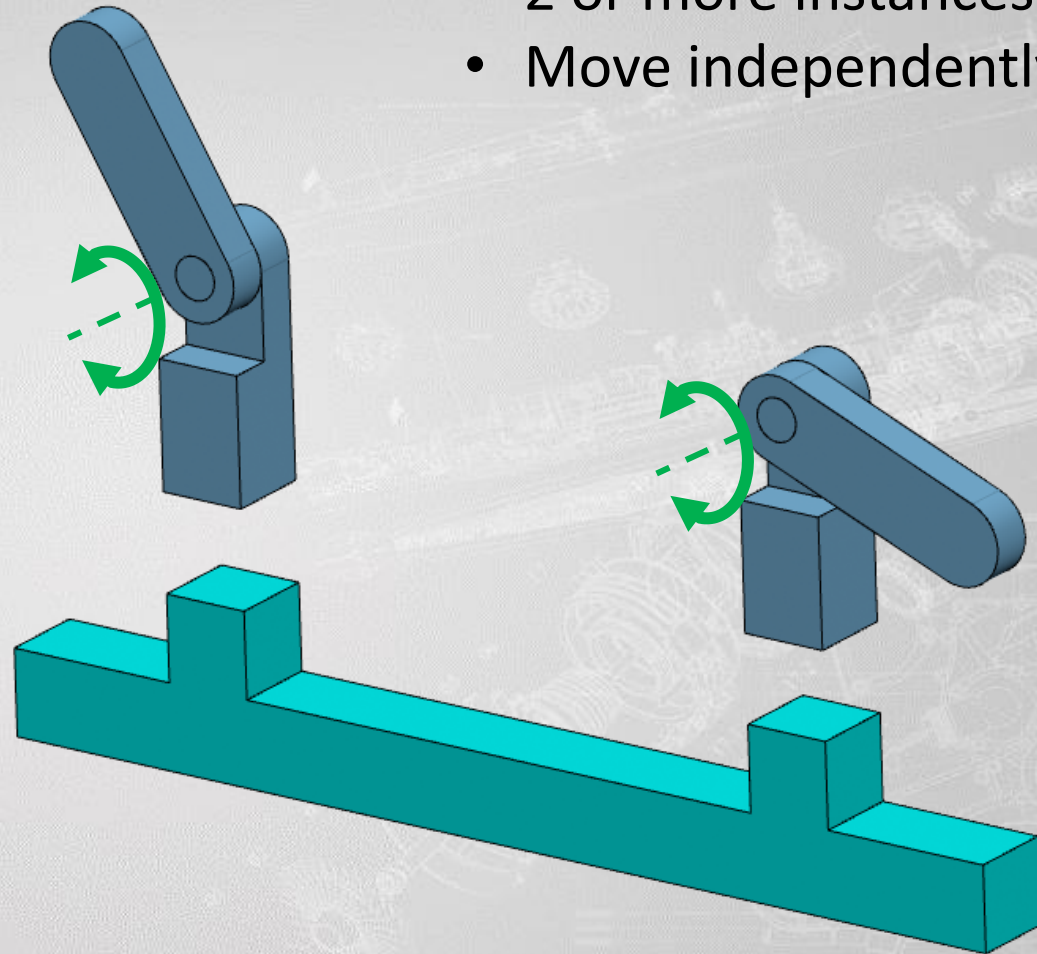
Theory



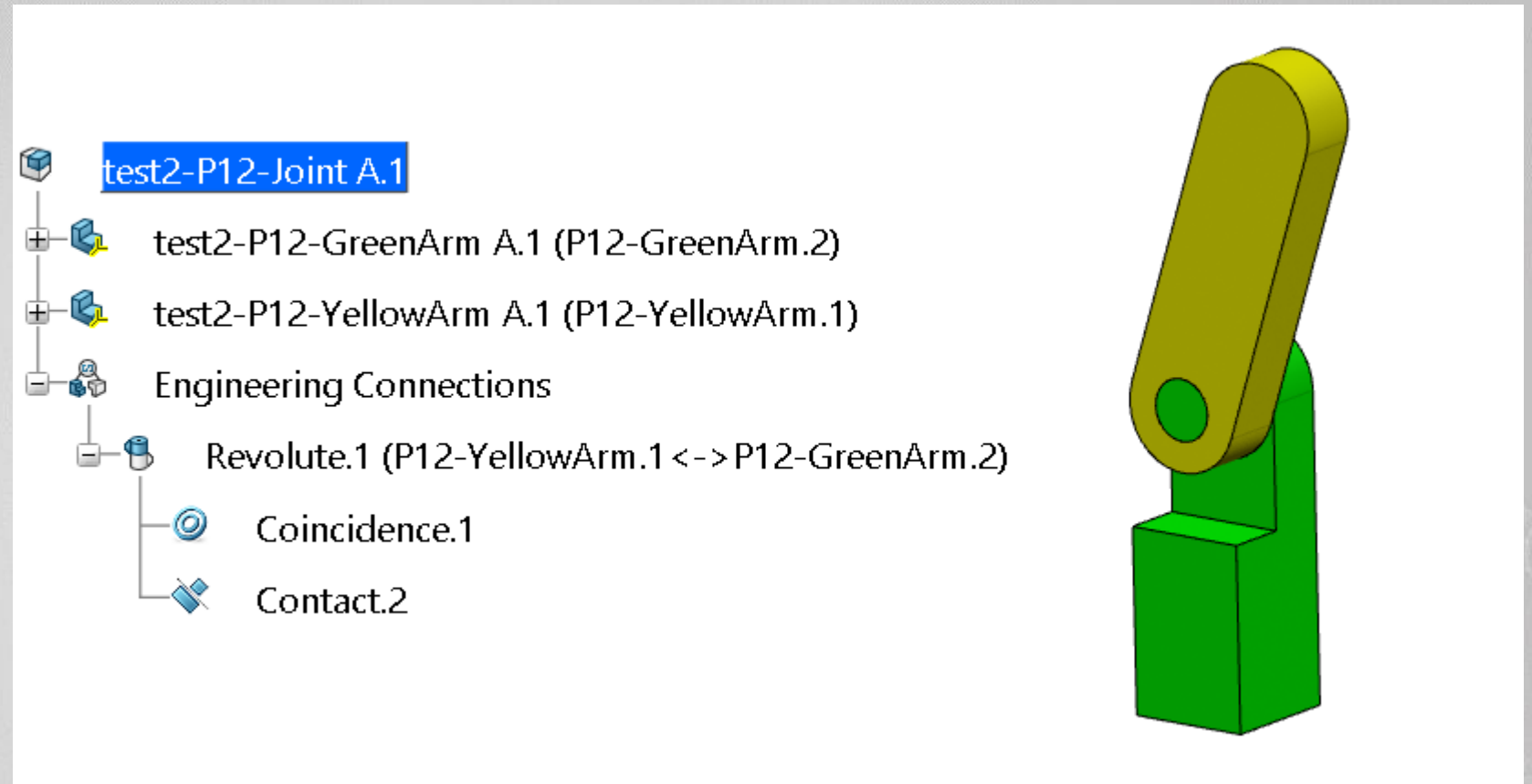
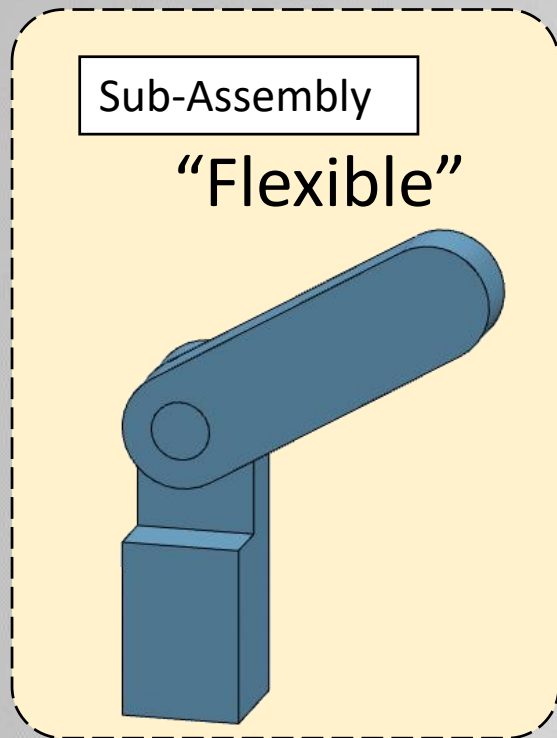
Theory



- Must move
- 2 or more instances.
- Move independently



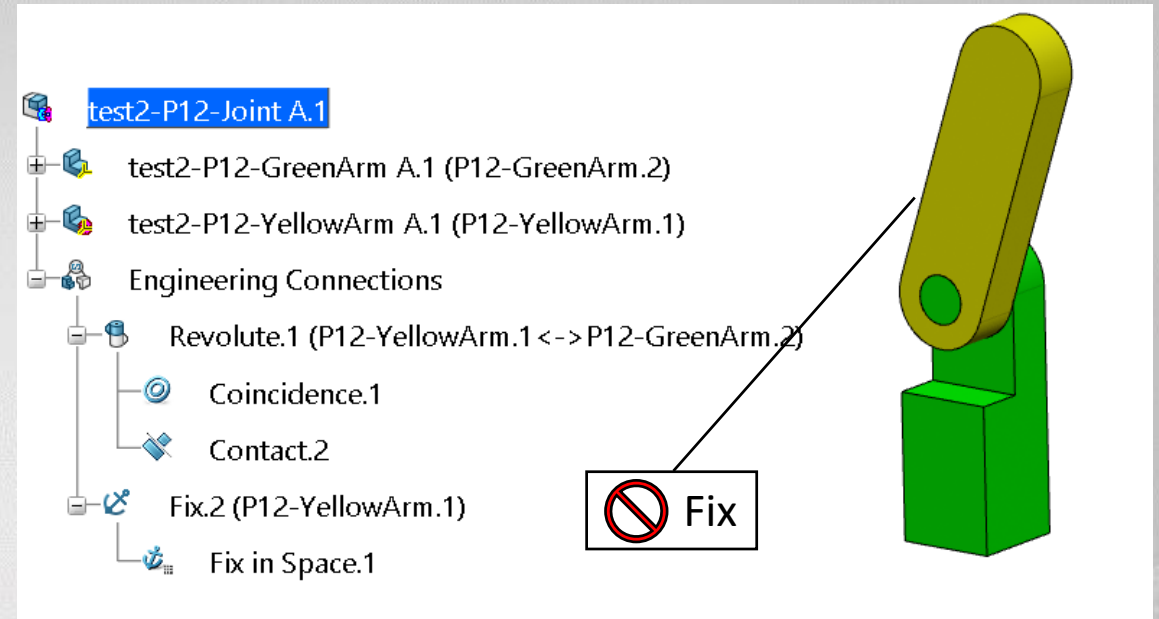
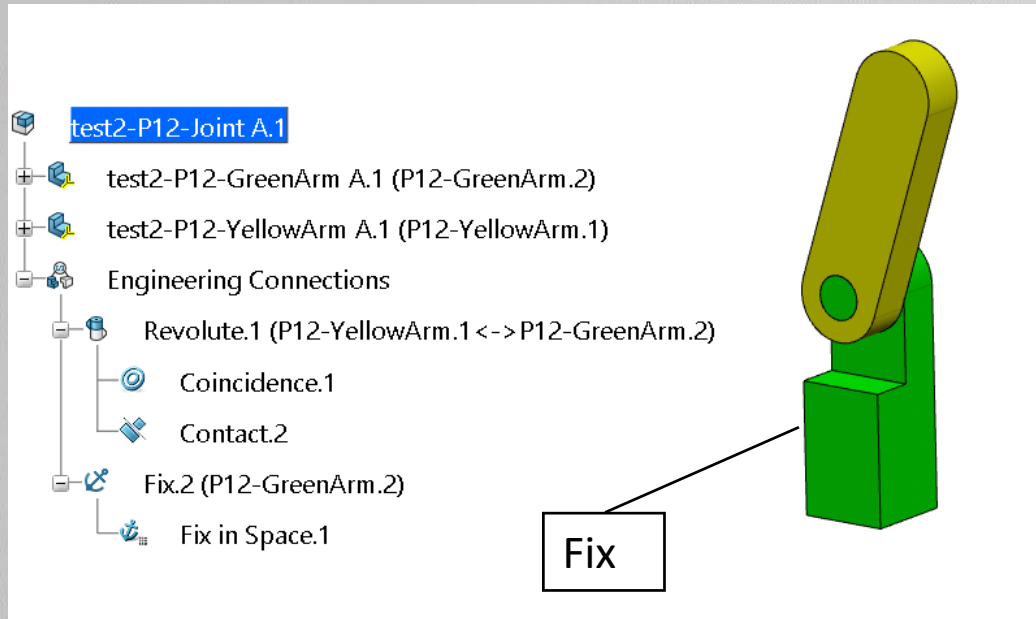
Theory



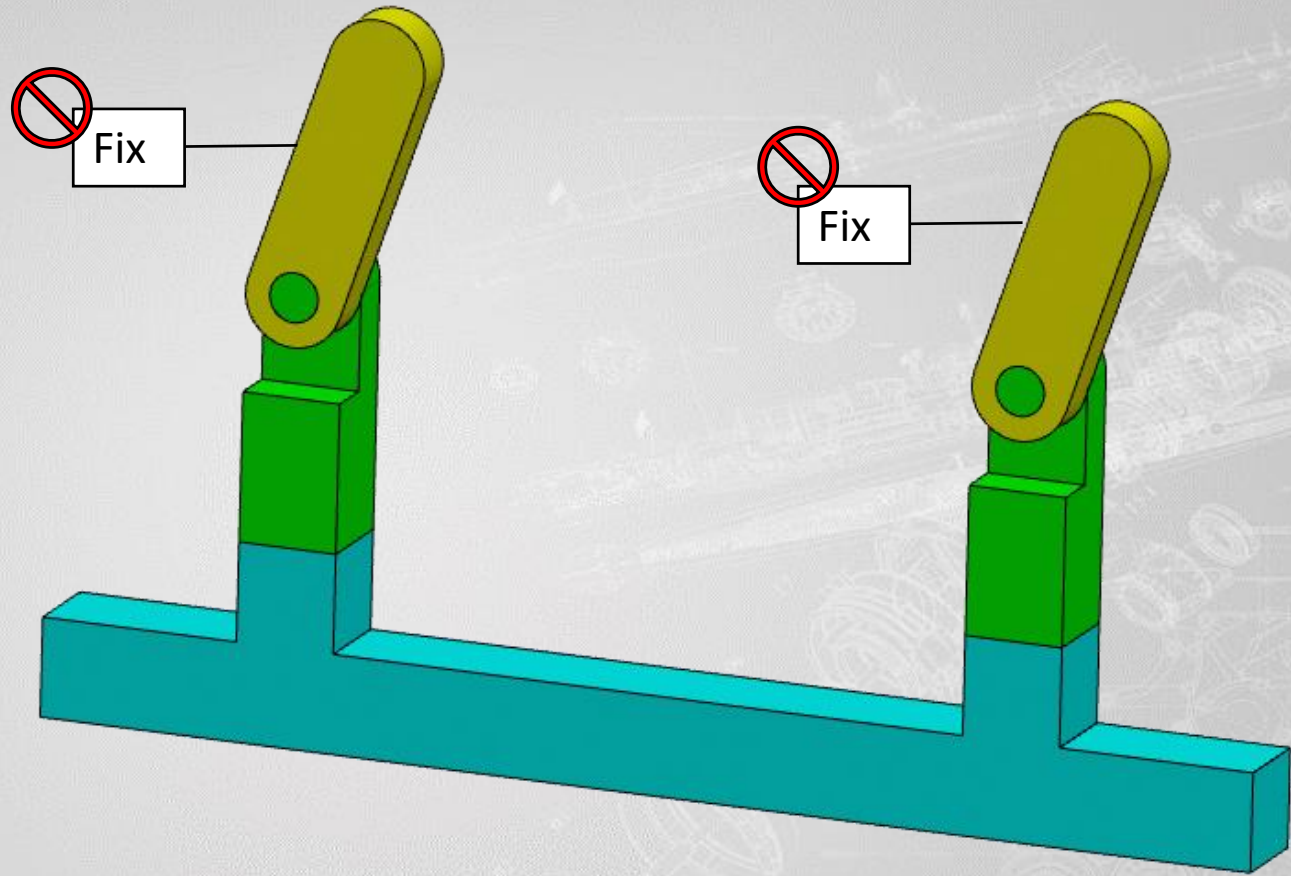
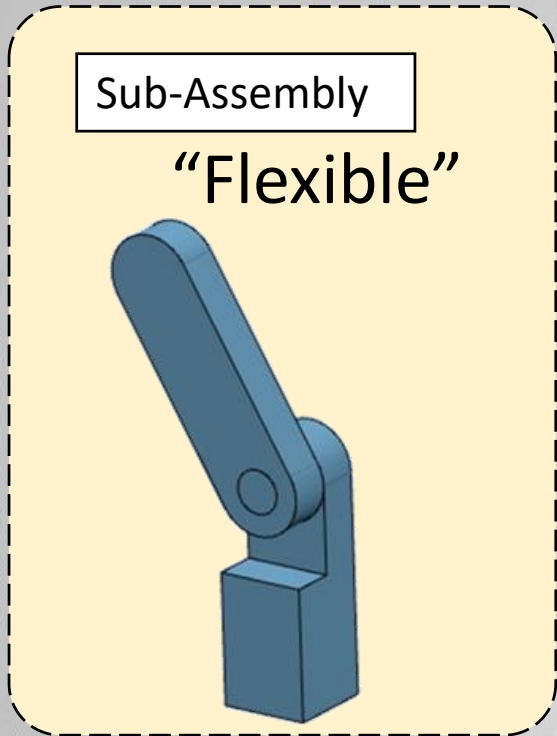
This Assembly (which will be used as a sub-assembly) should not include a Fix constraint



Theory



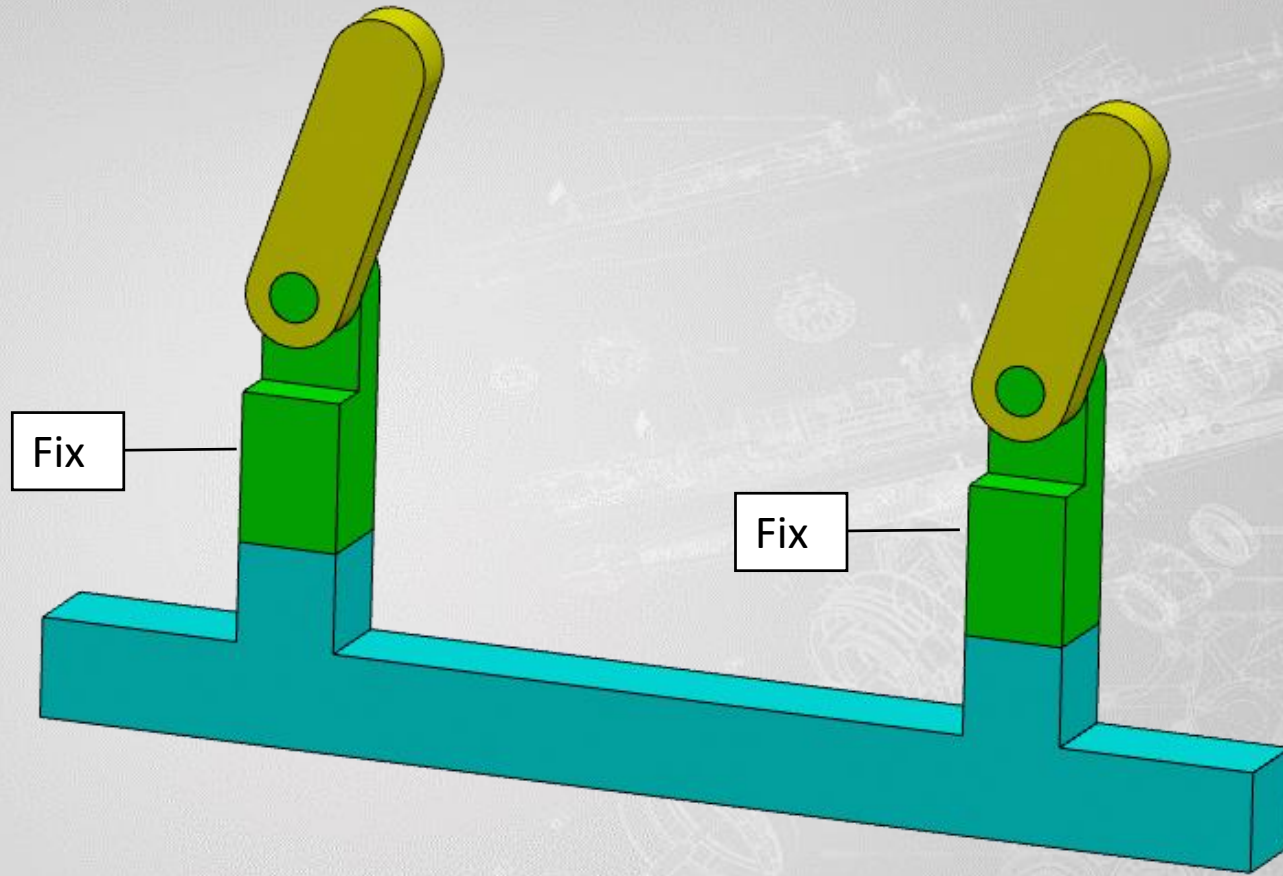
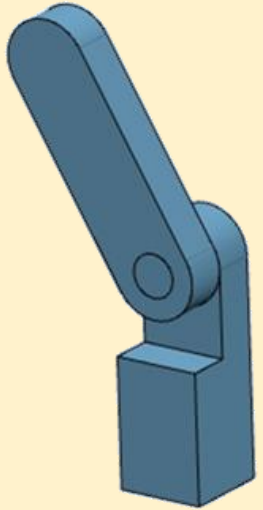
Theory



Theory

Sub-Assembly

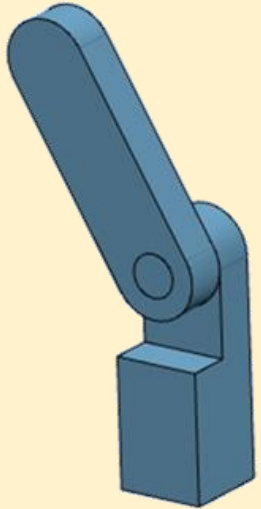
“Flexible”



Theory

Sub-Assembly

“Flexible”



 No Fix Constraints

Fix

Fix





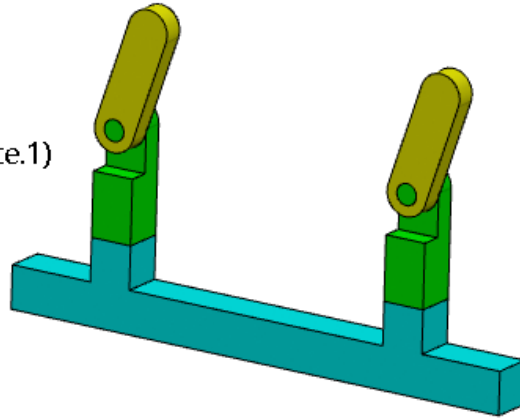
Theory

The Actual Steps



Level of the Tree

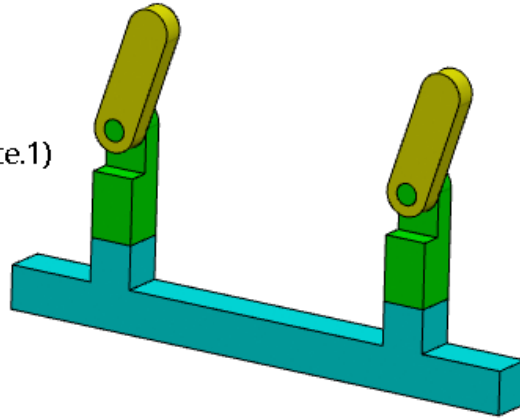
- [-] P12-Flexible demo A.1
 - [-] P12-Blue-BasePlate A.1 (P12-Blue-BasePlate.1)
 - ~~[-] P12-Joint A.1 (P12-Joint.1)~~
 - [-] P12-Joint A.1 (P12-Joint.2)



Root level

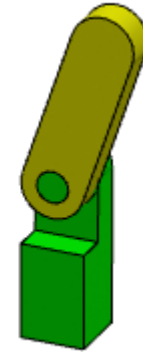


- P12-Flexible demo A.1
 - P12-Blue-BasePlate A.1 (P12-Blue-BasePlate.1)
 - P12-Joint A.1 (P12-Joint.1)**
 - P12-Joint A.1 (P12-Joint.2)






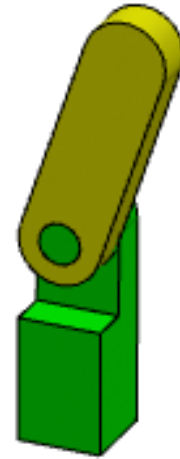
Root

- P12-Joint A.1**
- P12-GreenArm A.1 (P12-GreenArm.2)
- P12-YellowArm A.1 (P12-YellowArm.1)



Constrain the Assembly

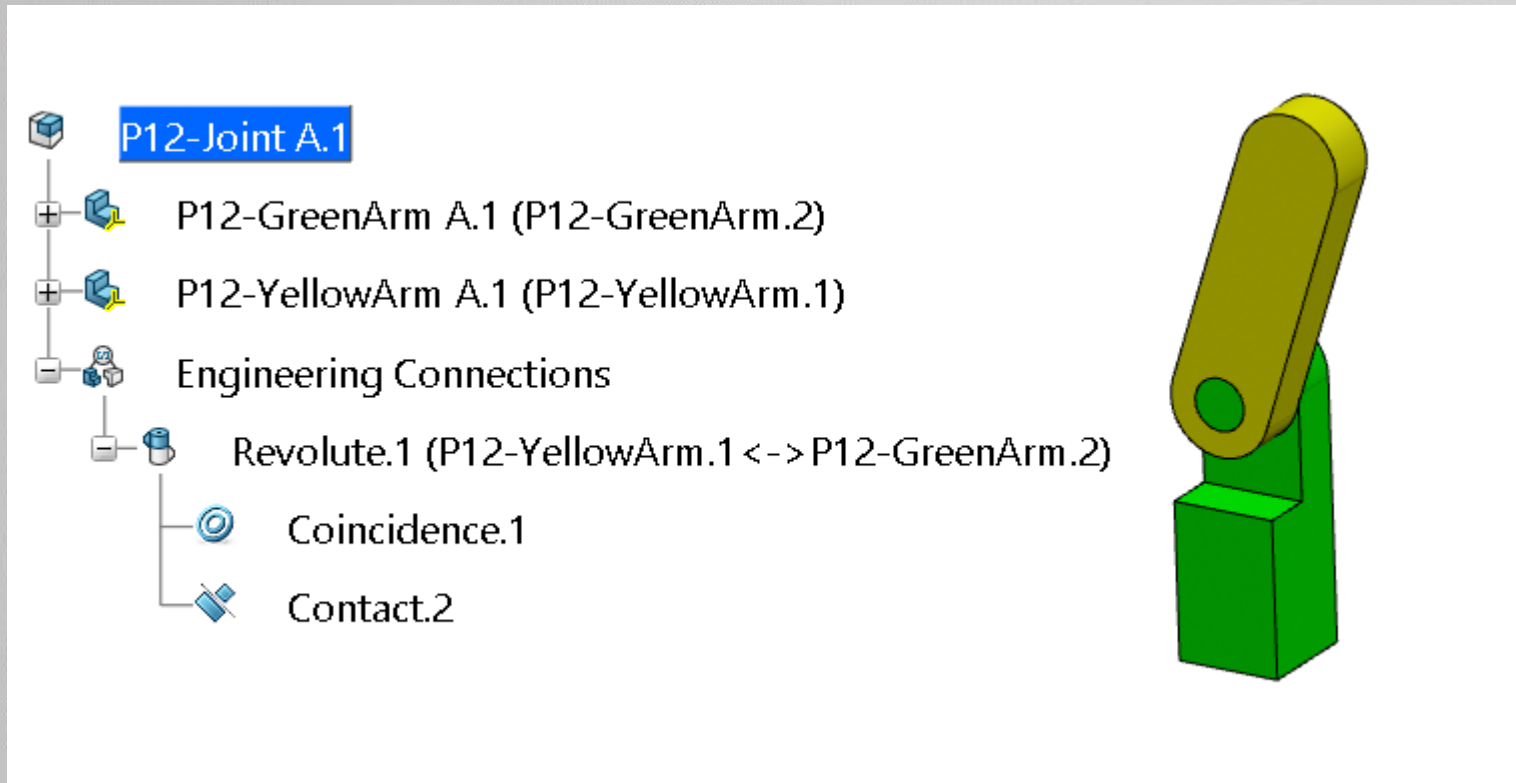
-  **P12-Joint A.1**
-  P12-GreenArm A.1 (P12-GreenArm.2)
-  P12-YellowArm A.1 (P12-YellowArm.1)



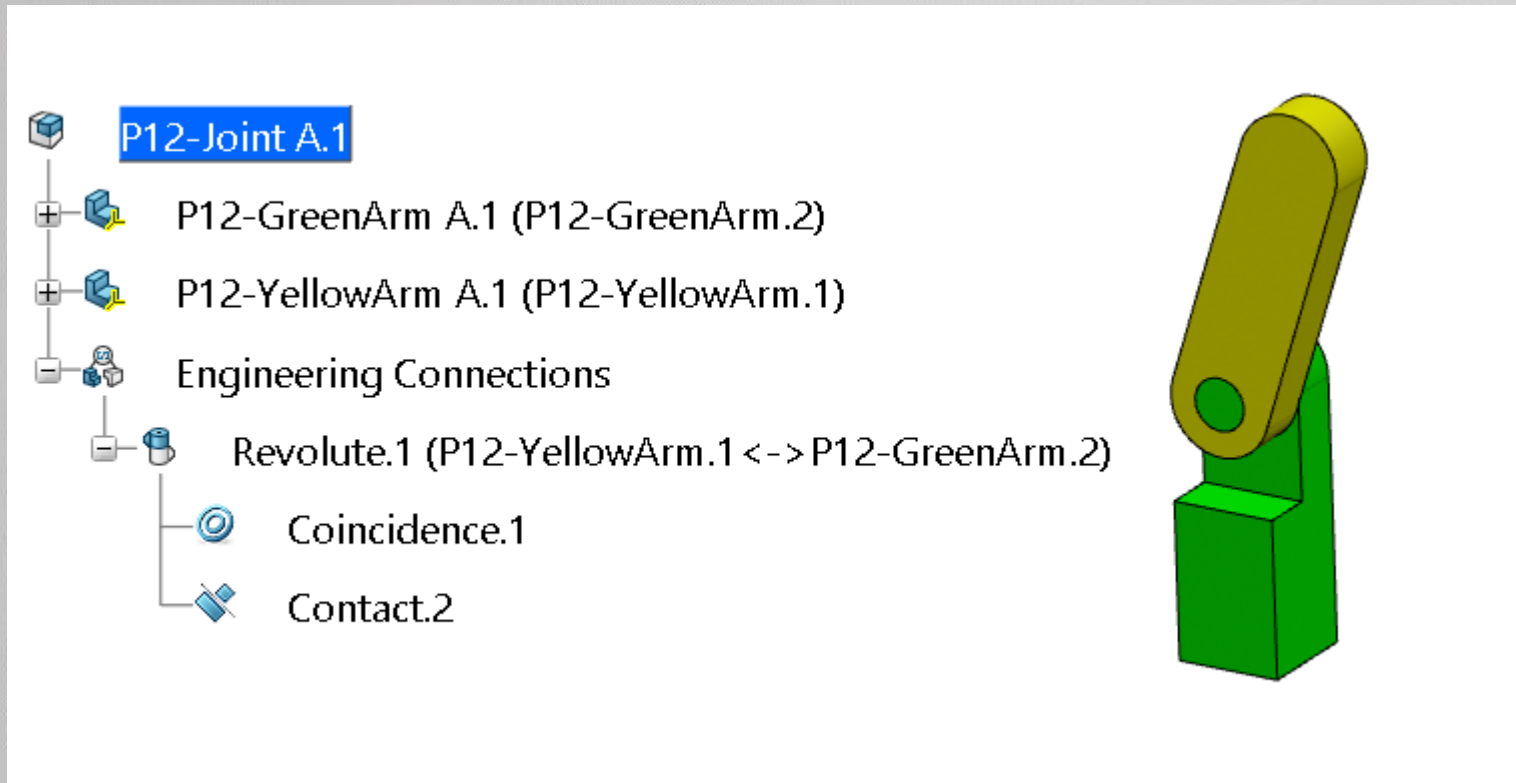
Engineering Connection...



Constrain the Assembly



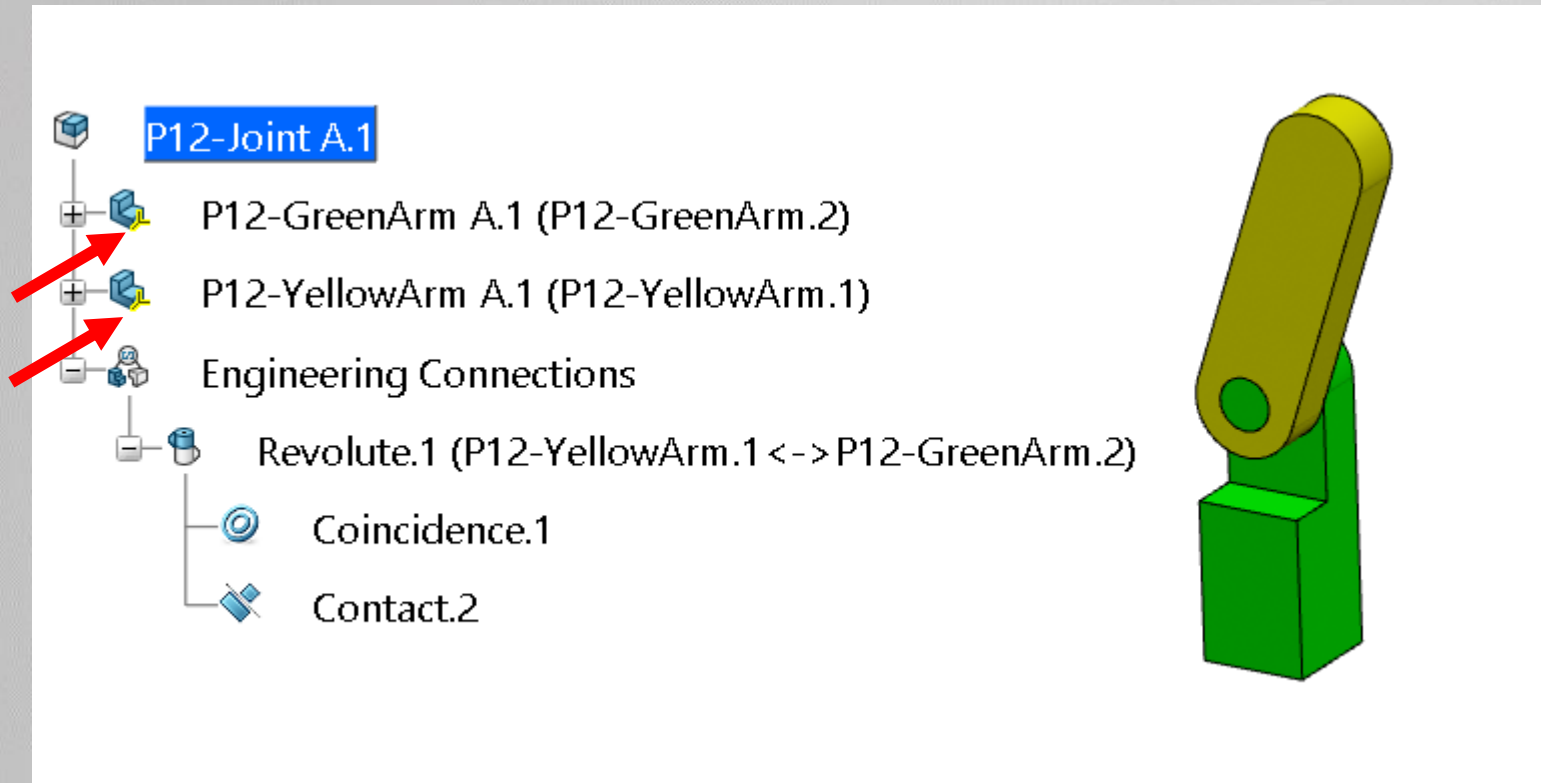
Constrain the Assembly



✓
Ready to
make it
Flexible



Constrain the Assembly

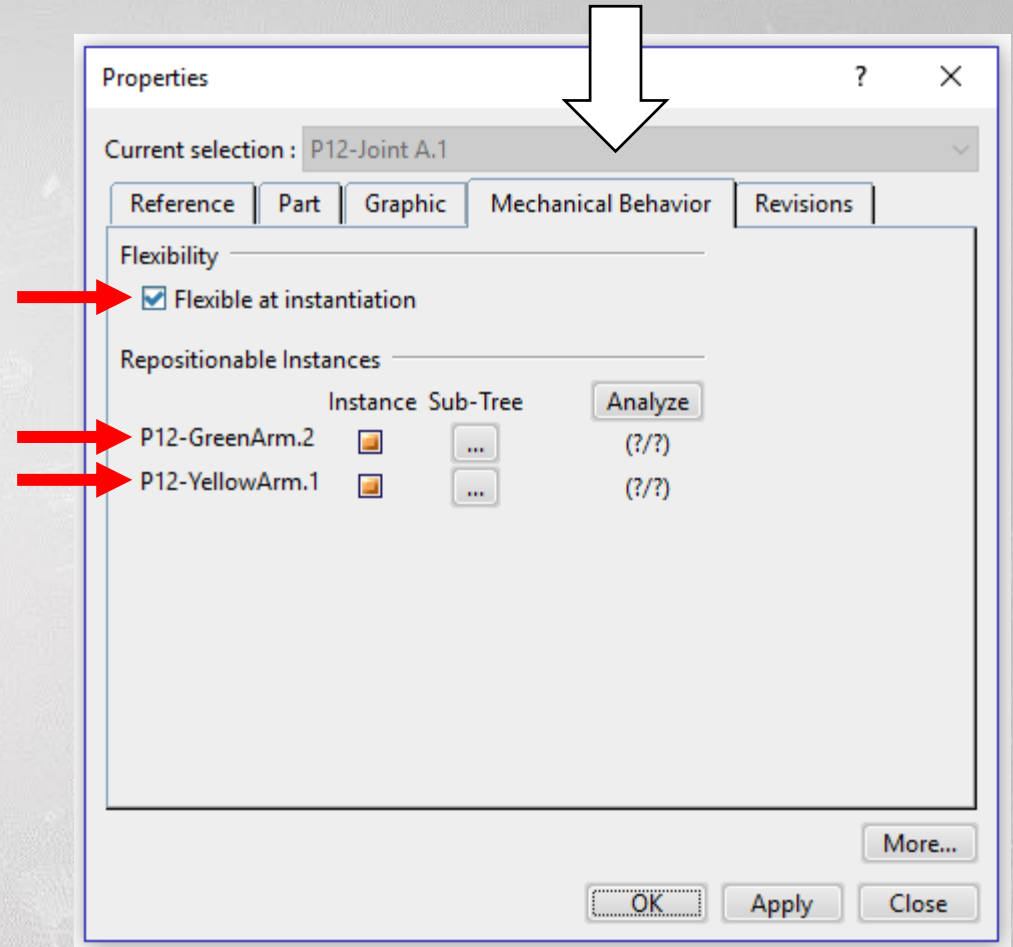
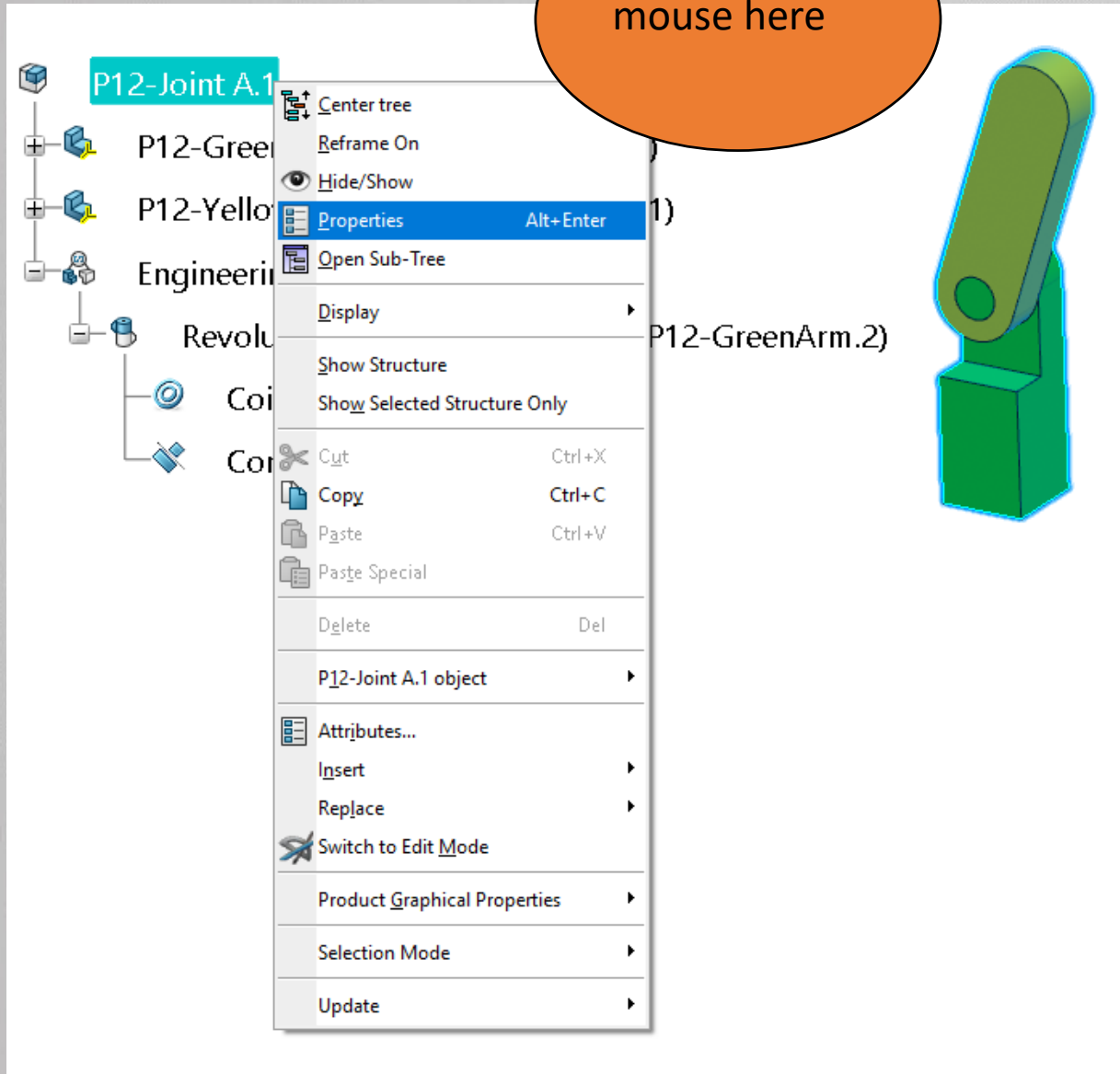


✓
Ready to
make it
Flexible

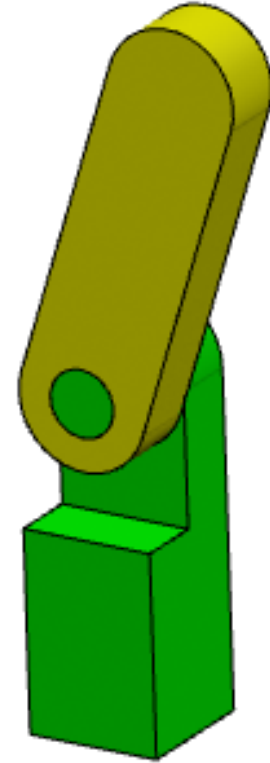
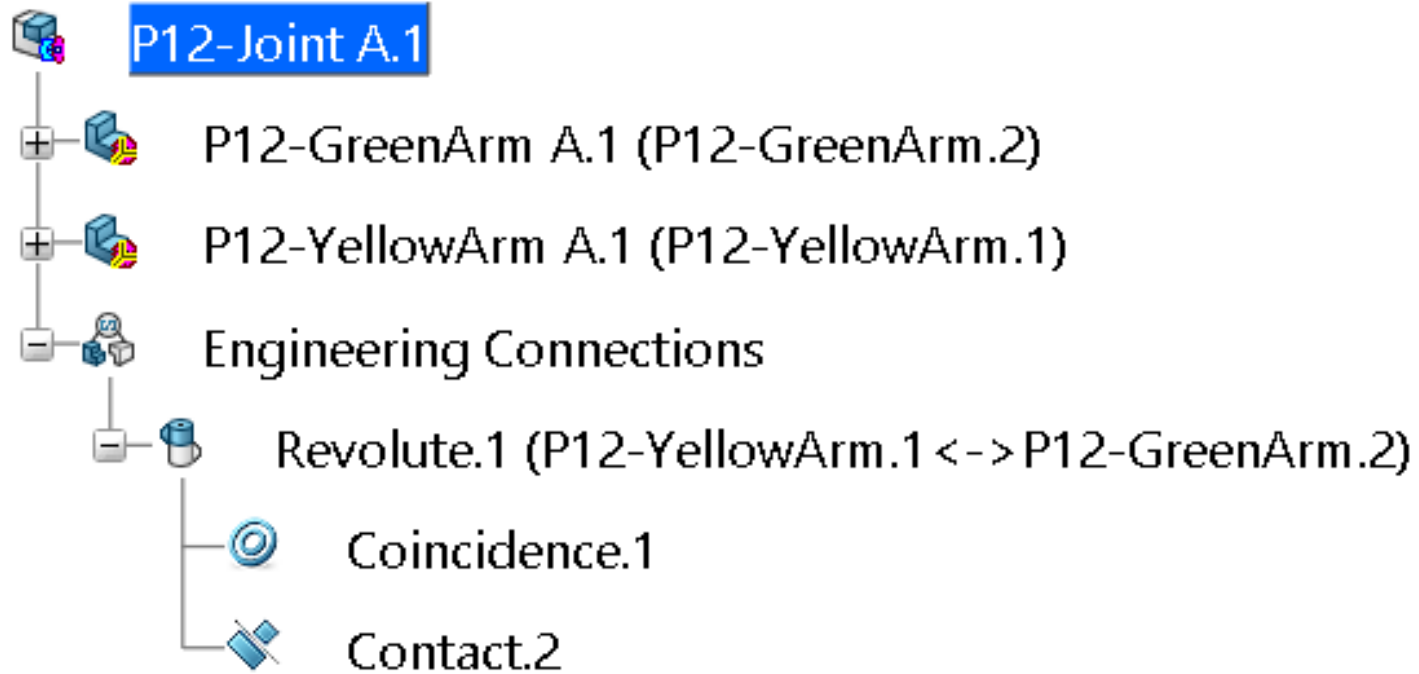


Properties

Need a rc mouse here



Flexible



Flexible



P12-Flexible demo A.1



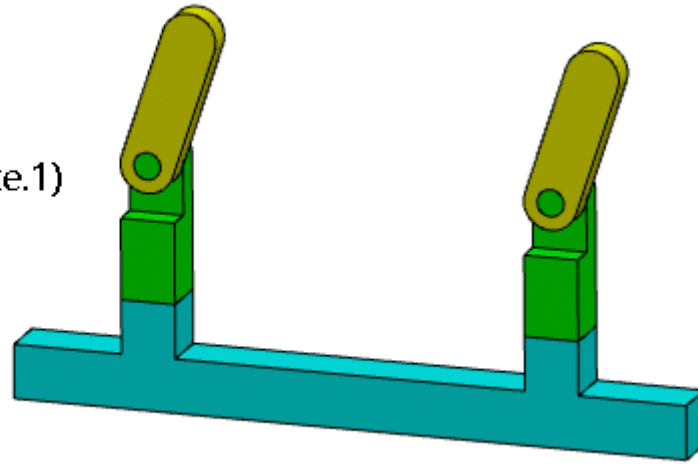
P12-Blue-BasePlate A.1 (P12-Blue-BasePlate.1)



P12-Joint A.1 (P12-Joint.1)

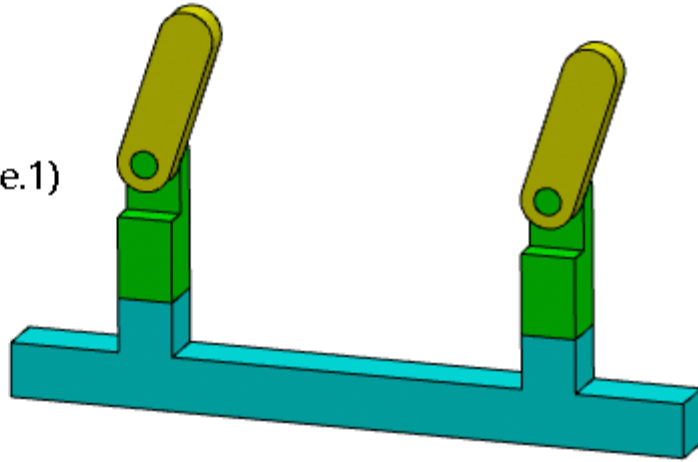


P12-Joint A.1 (P12-Joint.2)

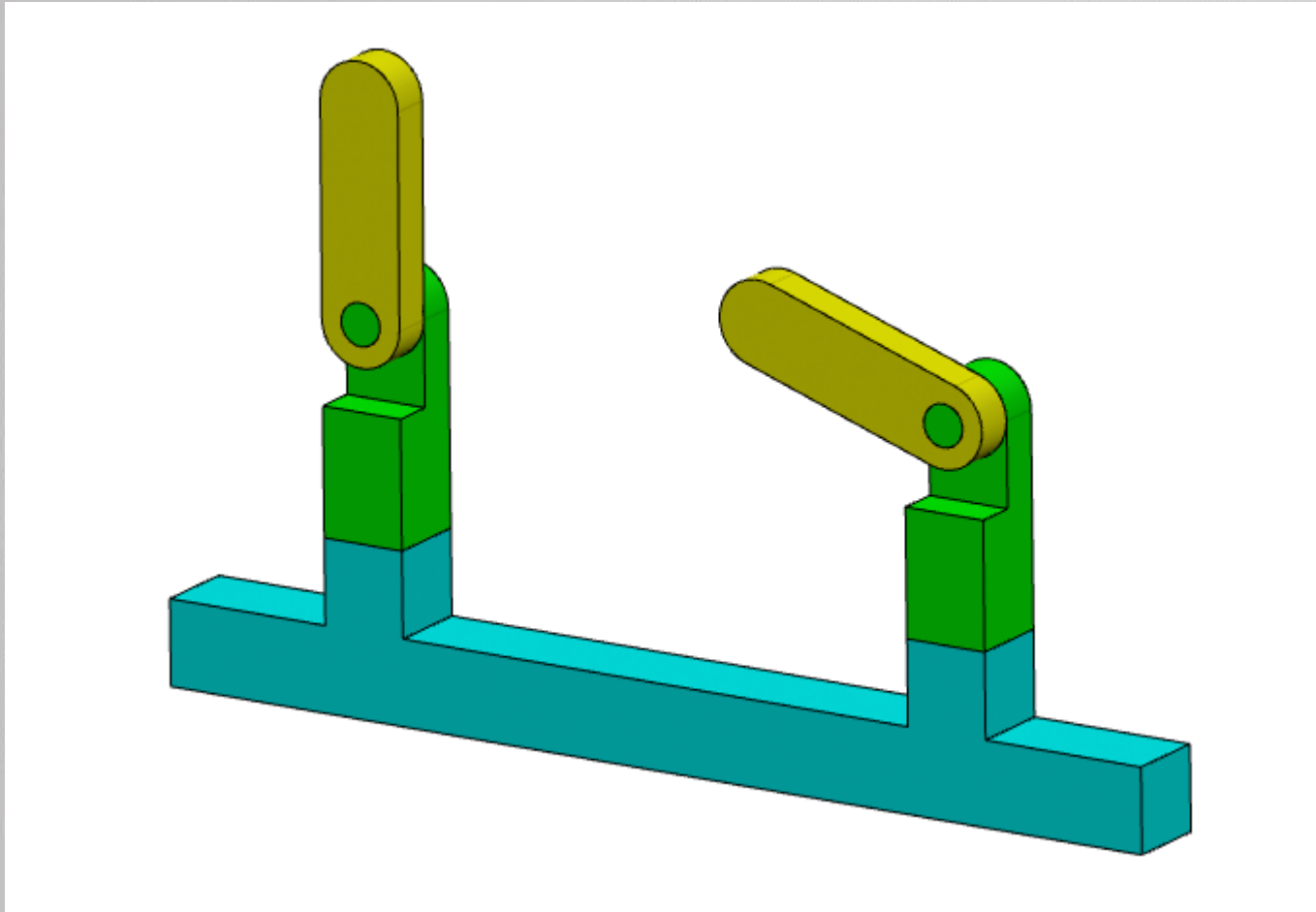


Flexible

- P12-Flexible demo A.1
 - P12-Blue-BasePlate A.1 (P12-Blue-BasePlate.1)
 - P12-Joint A.1 (P12-Joint.1)
 - P12-Joint A.1 (P12-Joint.2)
 - P12-GreenArm A.1 (P12-GreenArm.2)
 - P12-YellowArm A.1 (P12-YellowArm.1)
 - Engineering Connections



Flexible: Move independently



The End

