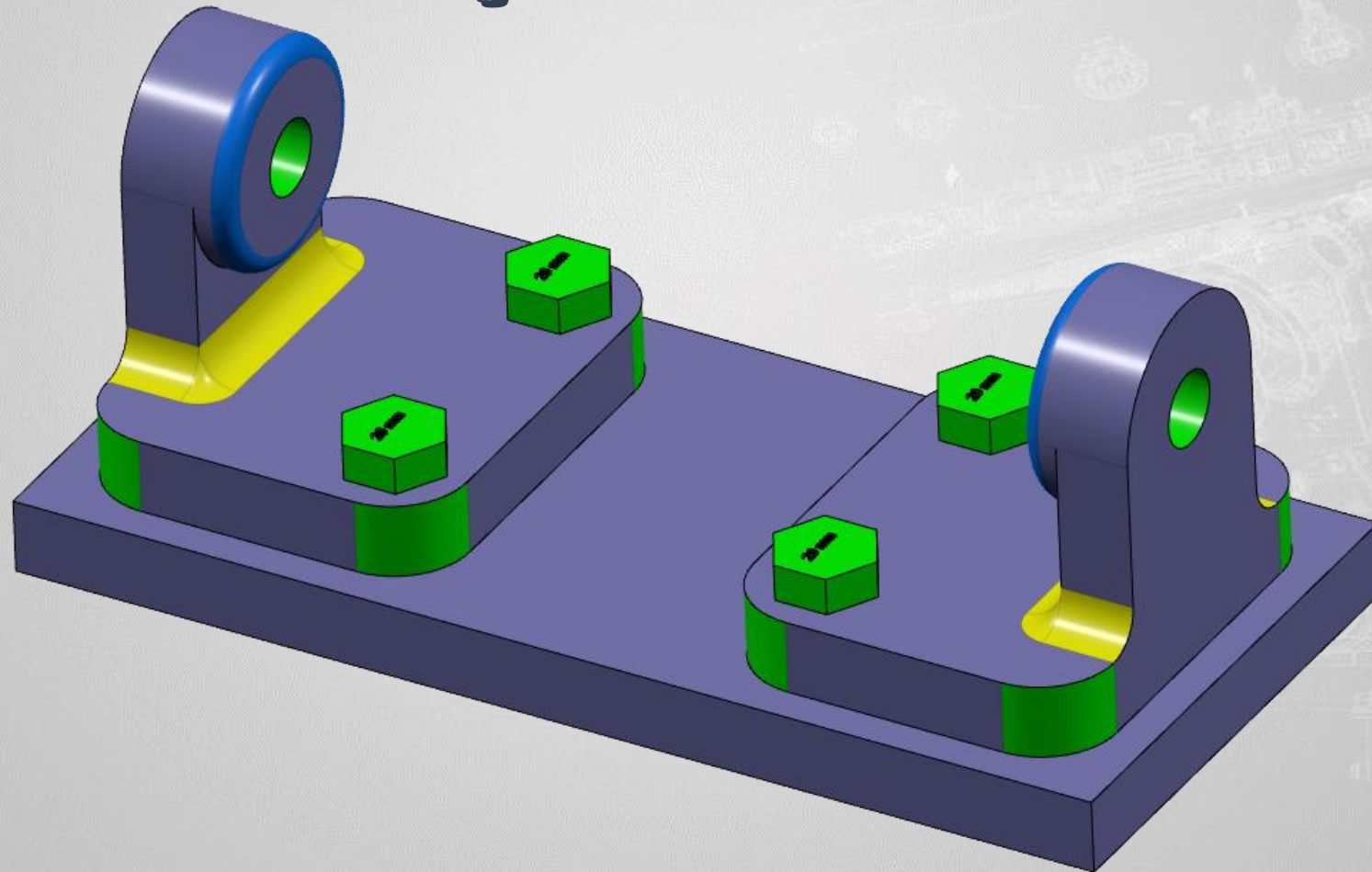


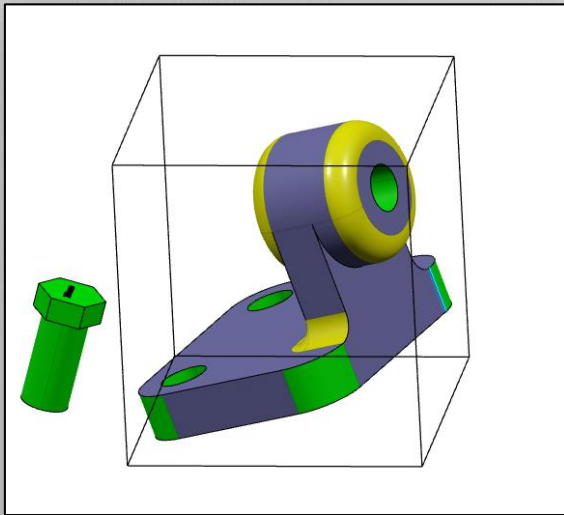
P02:



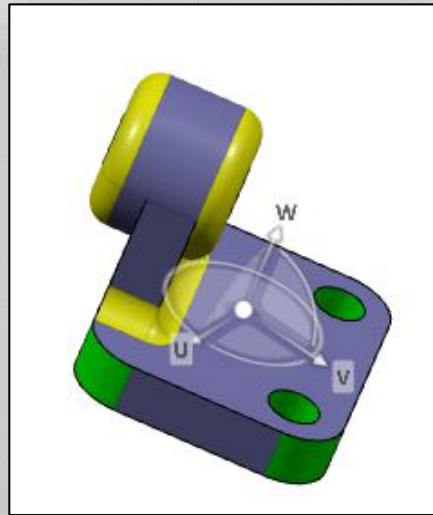
# Assembly Modifications



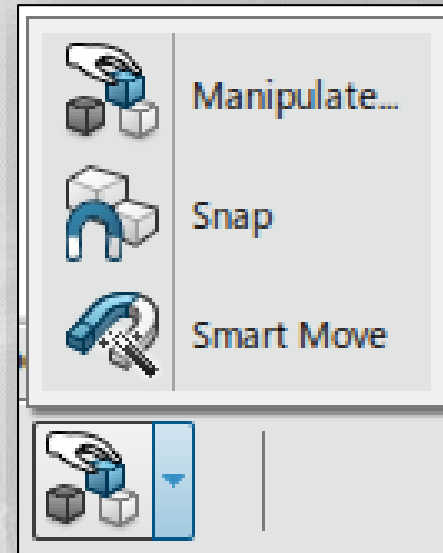
# Use your manipulation tools



Bounding Box



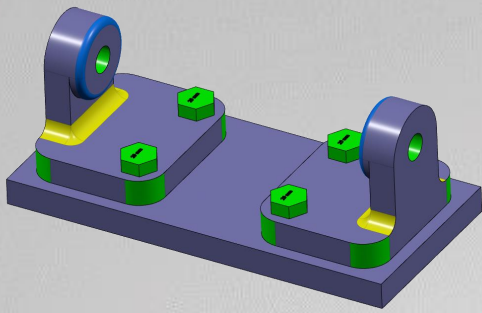
Robot



Any of these



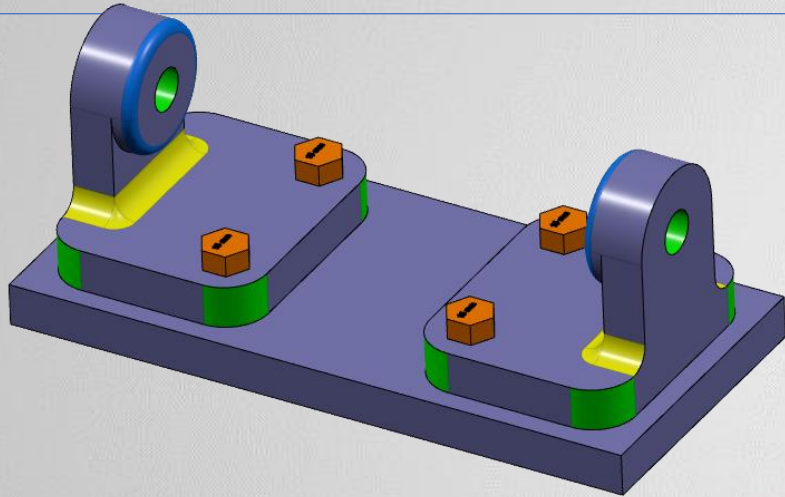
1



Open: P02-Assembly demo

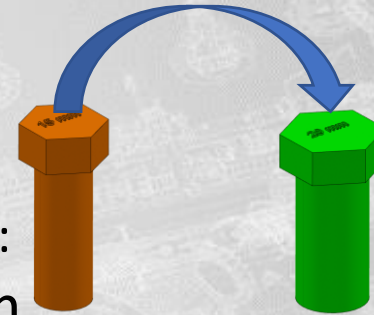
Save w/ Options to your CS  
(do NOT add your initials to the Part names)

2

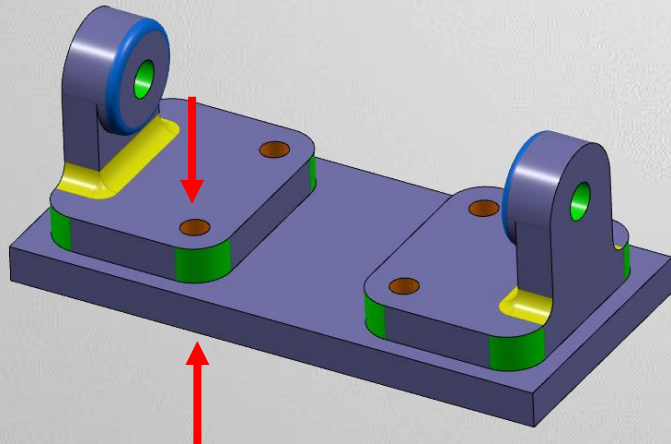


Replace All Bolts

Replacement Bolt:  
P02-Bolt-15mm



3



Change the diameter of the Base and Brace holes

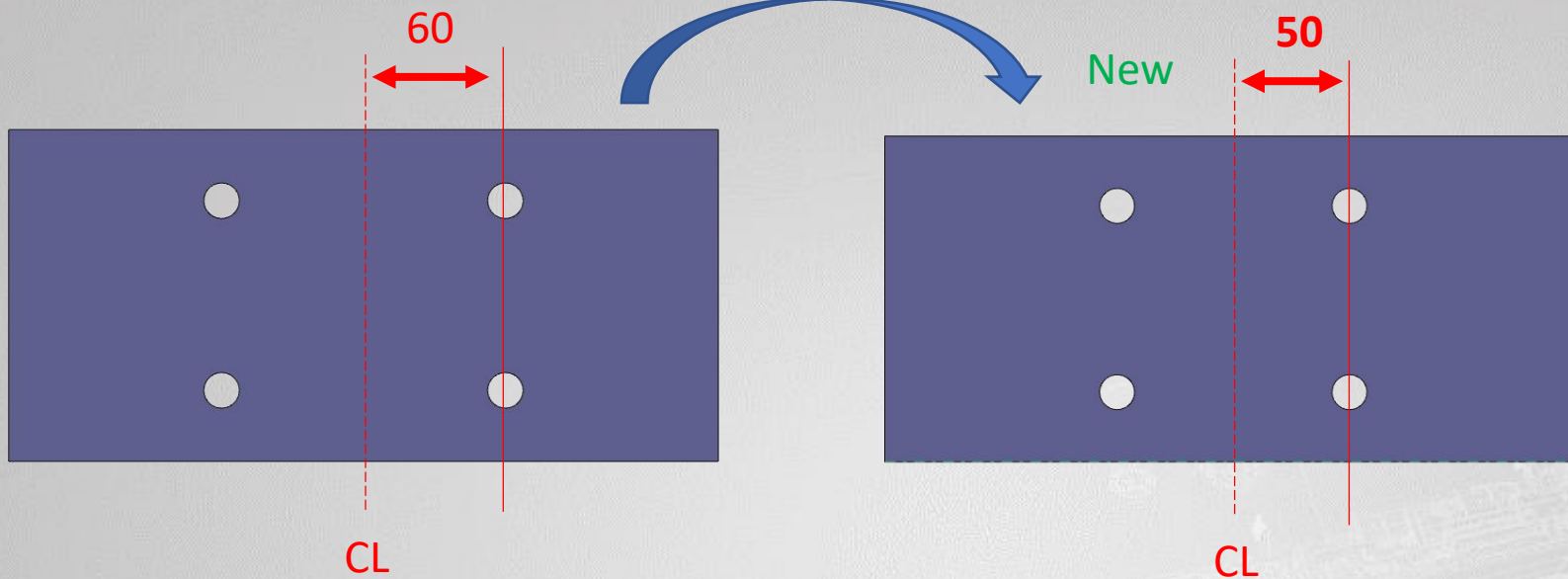
New Diameter = 15 mm

New hole color = Orange



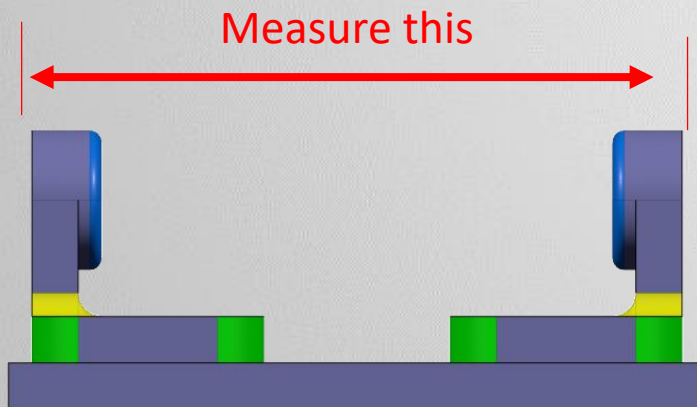
Change the hole spacing

4



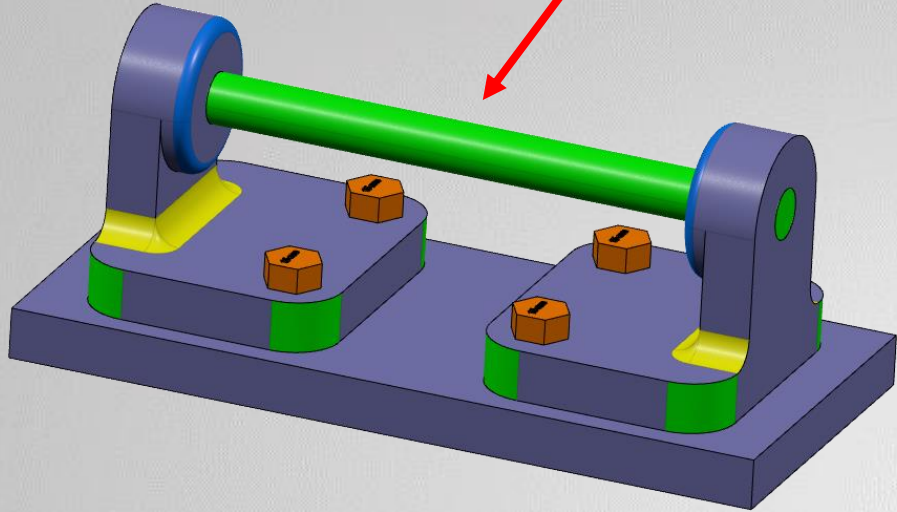
Make sure holes are still centered with the Base

5



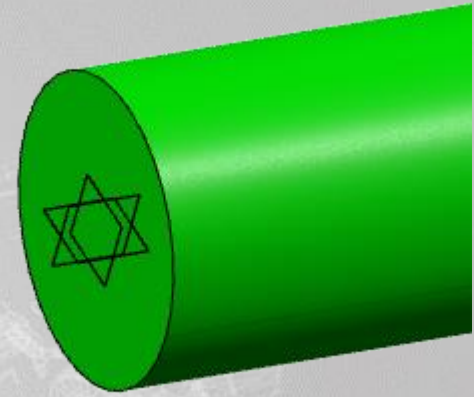
6

Create NEW part



Make rod and put it in position as shown  
Make sure its axis at the end

Name: P02-Rod  
Color: Green



Save your work

You are done

